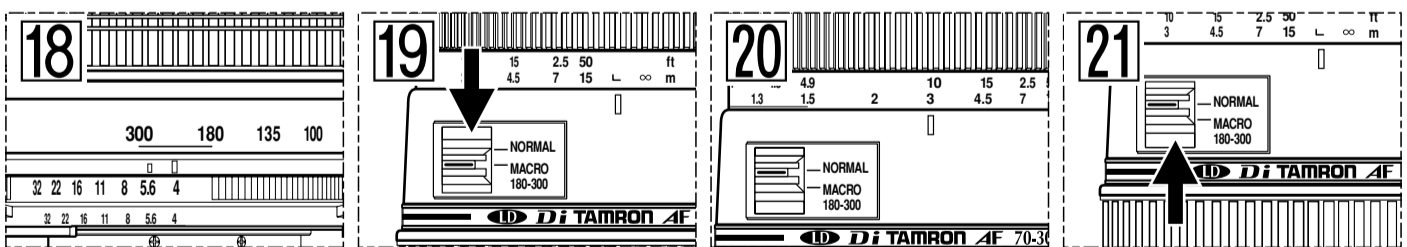
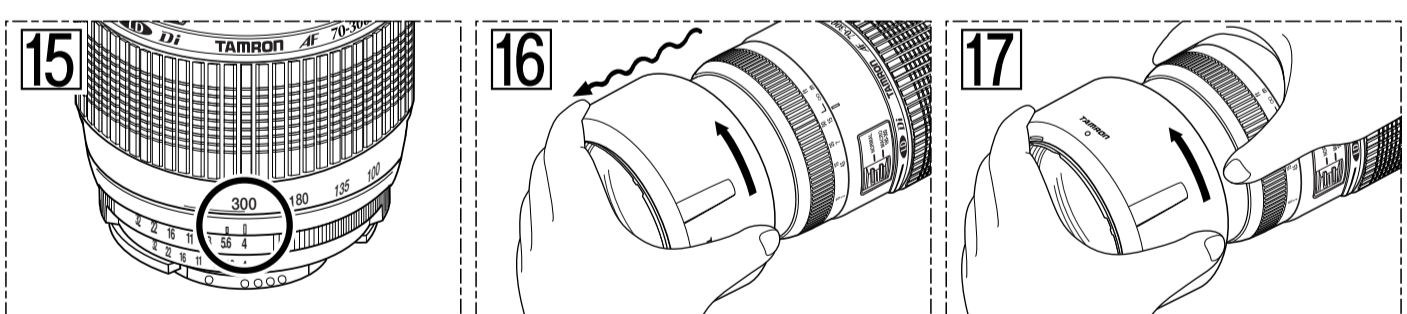
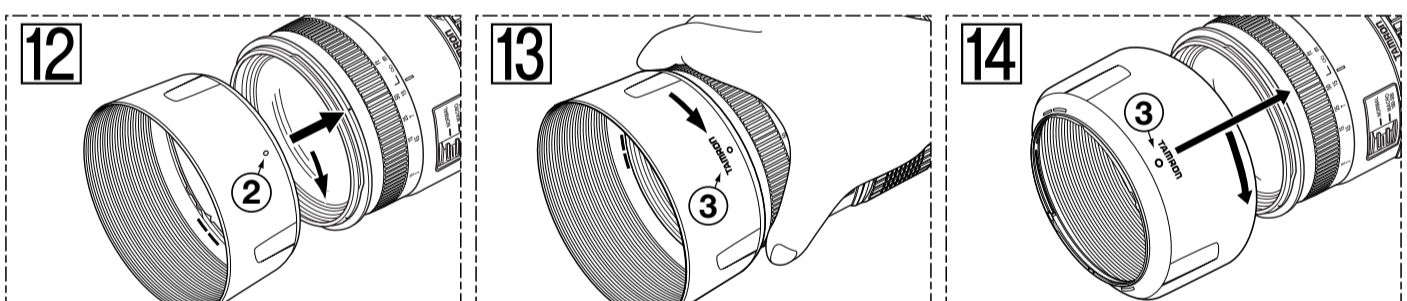
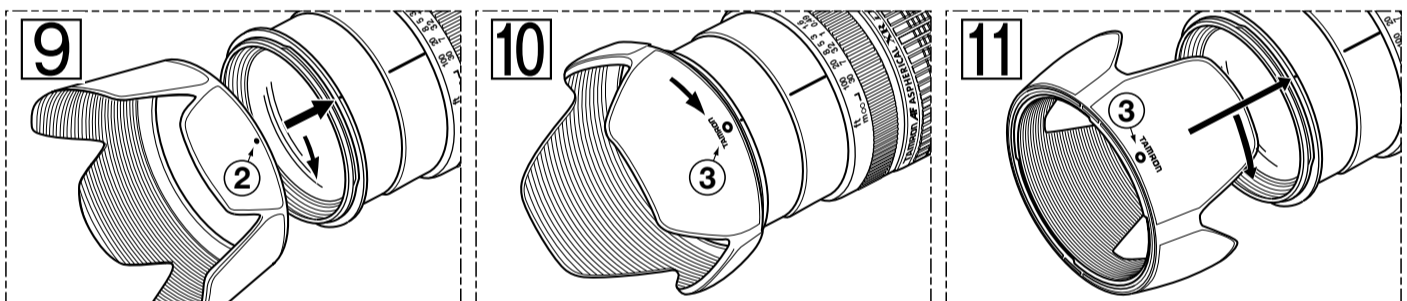
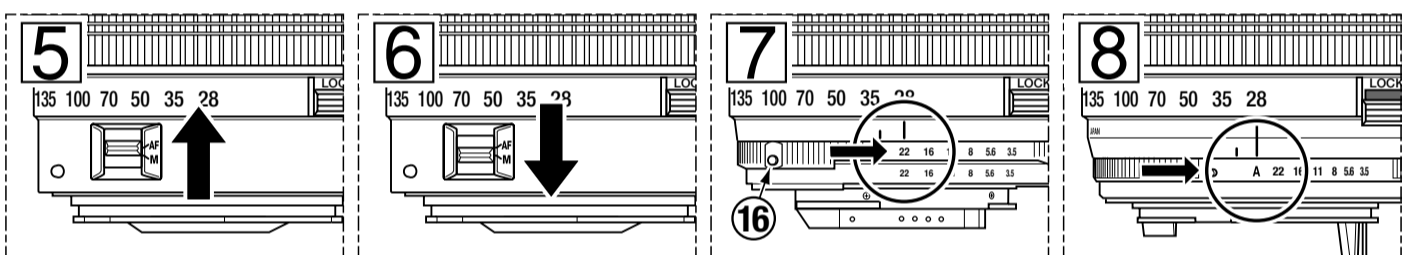
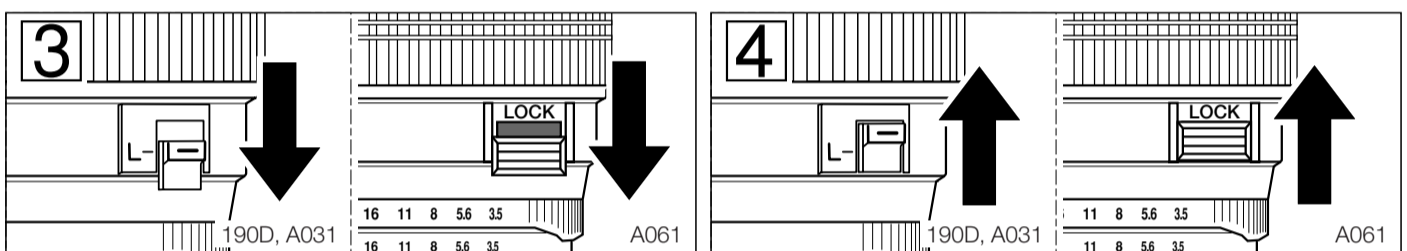
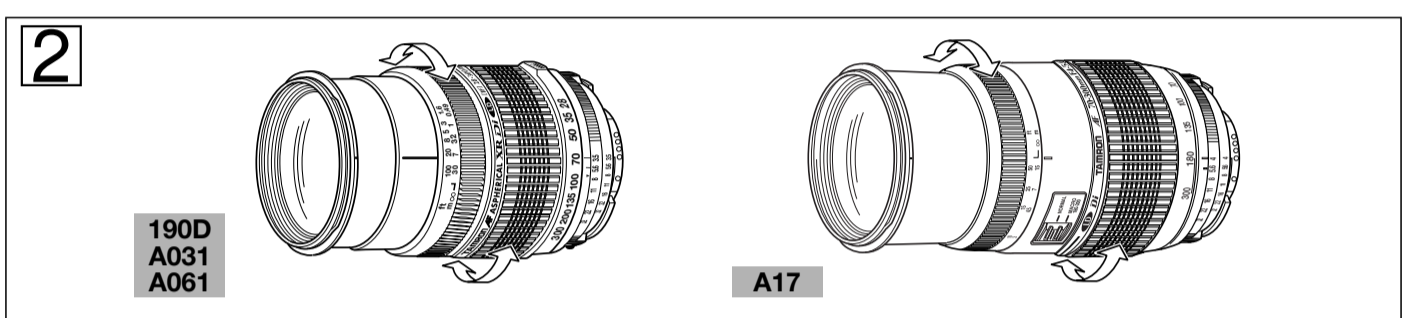
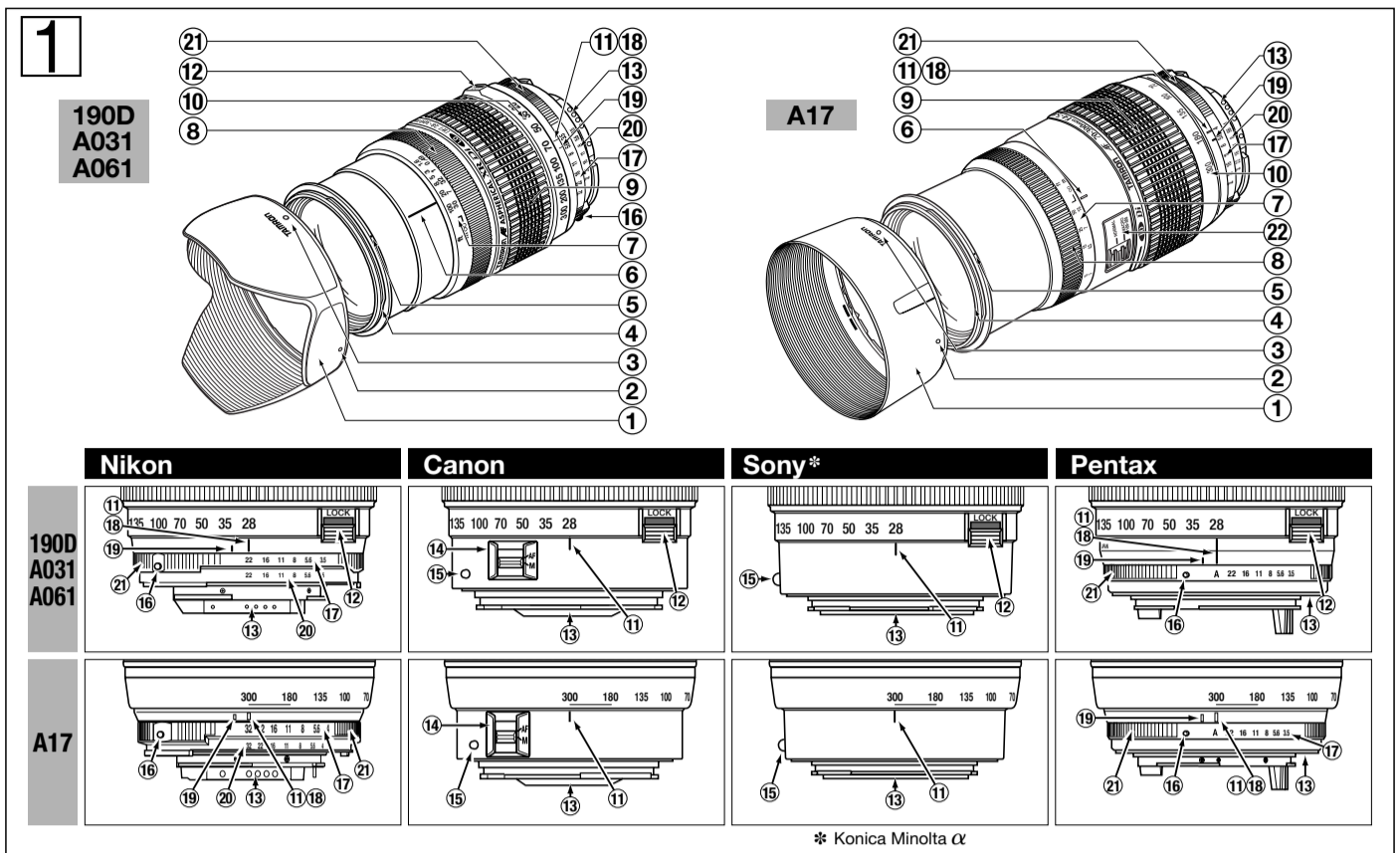


TAMRON

- SP AF24-135mm F/3.5-5.6 AD Aspherical [IF] Macro (Model 190D)
- AF28-200mm F/3.8-5.6 XR Di Aspherical [IF] Macro (Model A031)
- AF28-300mm F/3.5-6.3 XR Di LD Aspherical [IF] Macro (Model A061)
- AF70-300mm F/4-5.6 Di LD Macro 1:2 (Model A17)



CE

* The CE Marking is a directive conformity mark of the European Community (EC).
 * Das CE-Zeichen entspricht der EC Norm.
 * La marque CE est un marquage de conformité à la directive CEE (CE).
 * La marca CE es marca de conformidad según directiva de la Comunidad Europea (CE).
 * Il marchio CE attesta la conformità alla direttiva della Comunità Europea (CEE).
 * CE 标志表示符合欧洲共同体 (EC) 指标

The EEC Conformity Report applies to the Council Directive 98/336/EEC, 92/31/EEC, 93/68/EEC and is used by Tamron Co., Ltd., manufacturer of this product.

TAMRON

● SP AF24-135mm F/3.5-5.6 AD Aspherical [IF] Macro

(Model 190D)

● AF28-200mm F/3.8-5.6 XR Di Aspherical [IF] Macro

(Model A031)

● AF28-300mm F/3.5-6.3 XR Di LD Aspherical [IF] Macro

(Model A061)

● AF70-300mm F/4-5.6 Di LD Macro 1:2

(Model A17)

SP AF24-135mm F/3.5-5.6 AD Aspherical [IF] Macro (Model 190D)

Focal Length	Focus Distance	F/3.5	F/4.0	F/5.6	F/8.0	F/11	F/16	F/22
24 mm	0.4 m	0.38-0.42	0.38-0.42	0.37-0.43	0.36-0.45	0.35-0.47	0.34-0.51	0.32-0.58
	0.7 m	0.64-0.78	0.63-0.79	0.61-0.84	0.58-0.92	0.54-1.04	0.49-1.37	0.45-2.28
	1 m	0.87-1.19	0.85-1.22	0.81-1.34	0.75-1.58	0.68-2.05	0.60-4.26	0.53-∞
	3 m	1.98-6.49	1.89-7.82	1.65-23.00	1.38-∞	1.17-∞	0.93-∞	0.75-∞
	5 m	2.65-61.70	2.49-∞	2.08-∞	1.68-∞	1.36-∞	1.04-∞	0.82-∞
	∞	3.56-∞	3.27-∞	2.59-∞	1.99-∞	1.55-∞	1.14-∞	0.88-∞

AF28-200mm F/3.8-5.6 XR Di Aspherical [IF] Macro (Model A031)

Focal Length	Focus Distance	F/3.8	F/4.0	F/5.6	F/8.0	F/11	F/16	F/22	F/32
28 mm	0.49 m	0.47-0.52	0.47-0.52	0.46-0.53	0.44-0.55	0.43-0.58	0.41-0.63	0.39-0.71	0.35-0.92
	1 m	0.89-1.14	0.88-1.16	0.85-1.23	0.80-1.37	0.74-1.61	0.67-2.27	0.60-4.70	0.51-9.84
	2 m	1.58-2.74	1.56-2.83	1.43-3.41	1.28-4.96	1.13-11.7	0.95-∞	0.81-∞	0.65-∞
	3 m	2.13-5.16	2.08-5.50	1.86-8.33	1.60-38.4	1.37-∞	1.11-∞	0.91-∞	0.71-∞
	5 m	2.95-17.5	2.85-22.2	2.44-∞	2.01-∞	1.66-∞	1.29-∞	1.02-∞	0.77-∞
	∞	4.14-∞	3.95-∞	3.19-∞	2.49-∞	1.96-∞	1.46-∞	1.12-∞	0.82-∞

AF28-300mm F/3.5-6.3 XR Di LD Aspherical [IF] Macro (Model A061)

Focal Length	Focus Distance	F/3.8	F/4.0	F/5.6	F/8.0	F/11	F/16	F/22	F/32
28 mm	0.49 m	0.47-0.51	0.47-0.52	0.46-0.53	0.45-0.55	0.43-0.57	0.41-0.62	0.39-0.70	0.36-1.10
	1 m	0.90-1.13	0.89-1.15	0.85-1.23	0.80-1.37	0.74-1.59	0.67-2.23	0.60-4.50	0.51-9.84
	2 m	1.60-2.69	1.56-2.83	1.43-3.41	1.28-4.96	1.14-11.6	0.96-∞	0.81-∞	0.65-∞
	3 m	2.17-4.97	2.08-5.49	1.86-8.31	1.61-38.5	1.38-∞	1.12-∞	0.95-∞	0.71-∞
	5 m	3.65-17.2	3.39-∞	2.82-∞	2.26-∞	1.82-∞	1.38-∞	1.08-∞	0.82-∞
	∞	5.90-∞	5.30-∞	4.01-∞	2.95-∞	2.23-∞	1.60-∞	1.2-∞	0.88-∞

AF70-300mm F/4-5.6 Di LD Macro 1:2 (Model A17)

Focal Length	Focus Distance	F/4	F/5.6	F/8	F/11	F/16	F/22	F/32
70 mm	1.5 m	1.46-1.55	1.44-1.56	1.42-1.59	1.39-1.63	1.35-1.70	1.30-1.78	1.23-1.96
	2 m	1.92-2.09	1.89-2.12	1.85-2.18	1.80-2.26	1.72-2.40	1.63-2.60	1.51-3.02
	3 m	2.81-3.22	2.74-3.31	2.65-3.47	2.54-3.68	2.37-4.11	2.20-4.79	1.97-6.61
	4.5 m	4.06-5.05	3.92-5.28	3.72-5.71	3.50-6.35	3.18-7.84	2.87-10.9	2.47-32.5
	7 m	5.96-8.49	5.66-9.19	5.24-10.6	4.79-13.32	4.19-22.3	3.65-32	3.01-∞
	∞	10.9-24.5	9.85-31.7	8.59-61.1	7.42-∞	6.04-∞	4.95-∞	3.62-∞