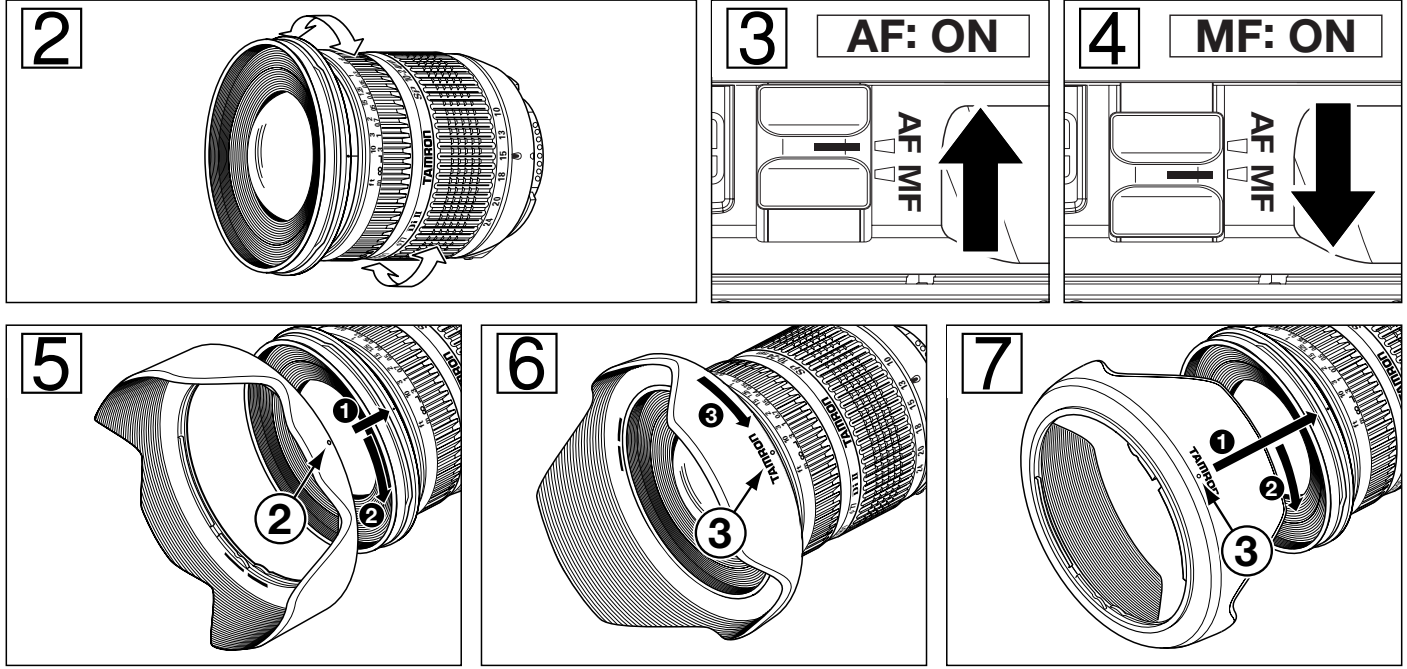
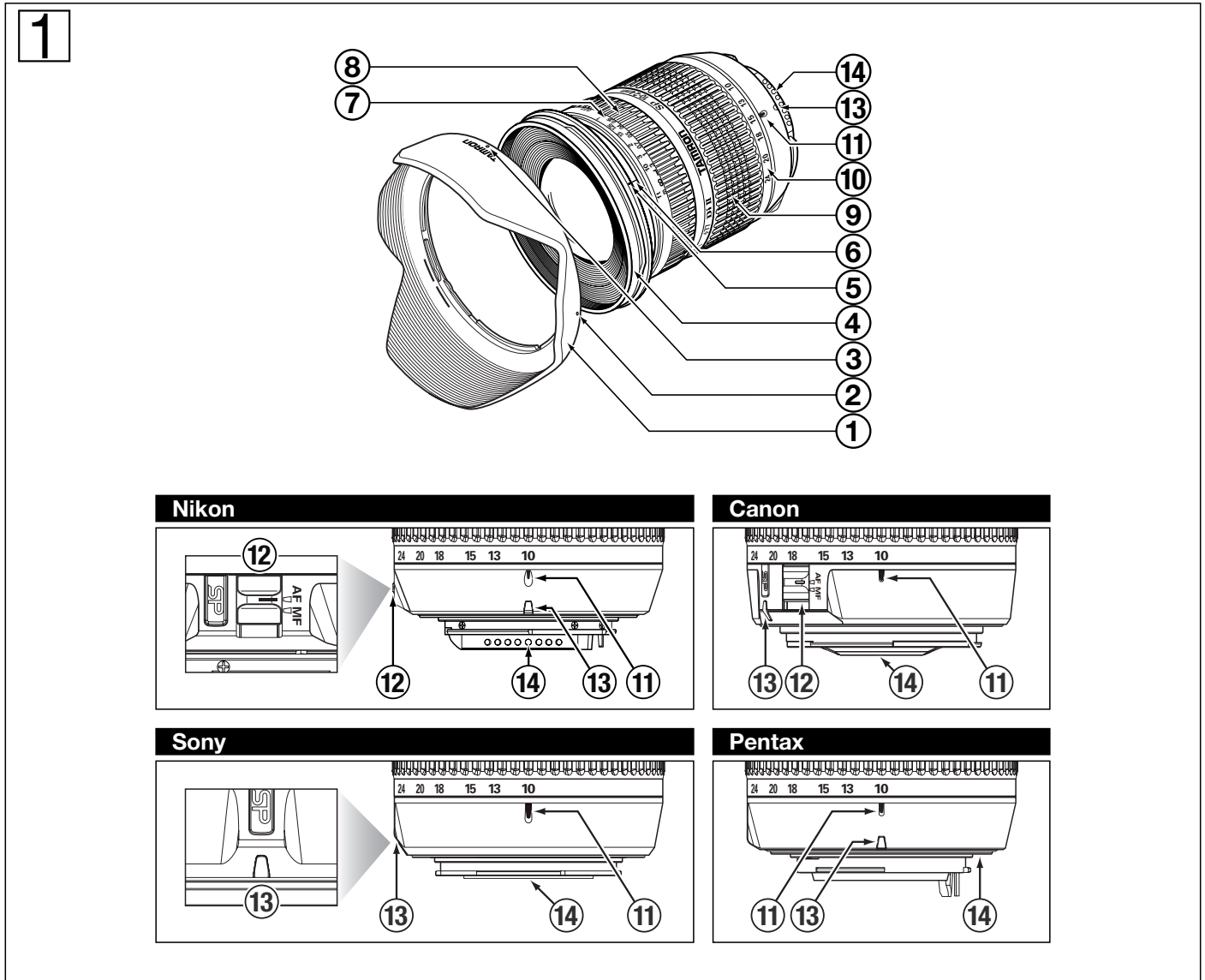


TAMRON

● SP AF10-24mm F/3.5-4.5 DiII LD Aspherical [IF] (Model B001)



CE

- * The CE Marking is a directive conformity mark of the European Community (EC).
- * Das CE-Zeichen entspricht der EC Norm.
- * La marquage CE est un marquage de conformité à la directive CEE (CE).
- * La marca CE es marca de conformidad segun directiva de la Comunidad Europea (CE).
- * Il marchio CE attesta la conformita alla direttiva della Comunità Europea (CEE).
- * CE 标志表示符合欧洲共同体 (EC) 指标

CE The EEC Conformity Report applies to the Council Directive 98/336/EEC, 92/31/EEC, 93/68/EEC and is used by Tamron Co., Ltd., manufacturer of this product.

