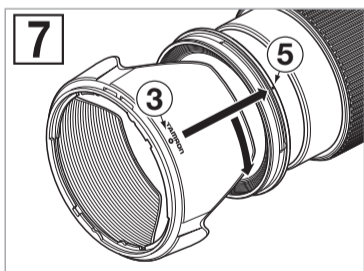
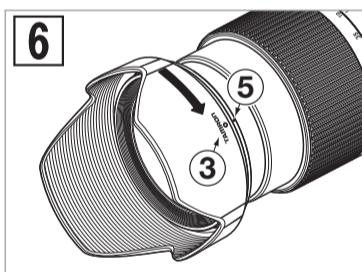
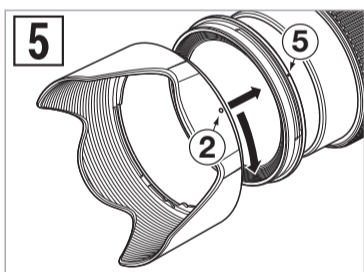
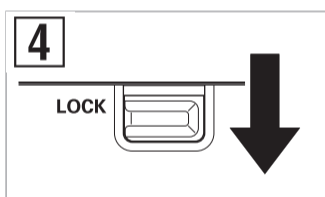
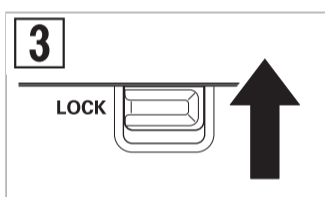
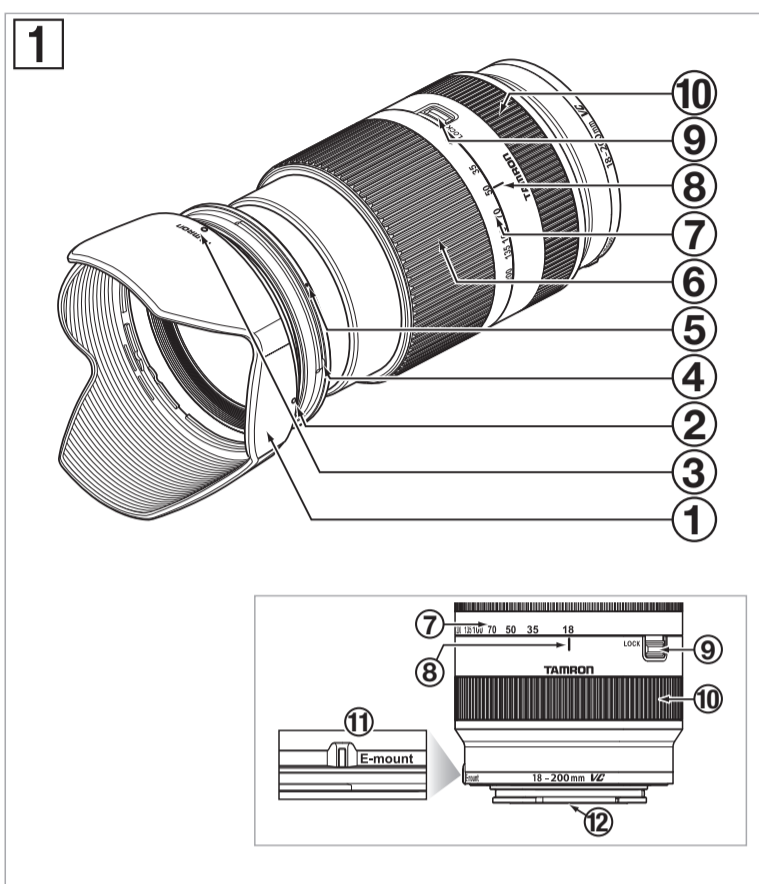


# TAMRON

## 18-200mm F/3.5-6.3 Di III VC

For Sony mirrorless interchangeable-lens camera series

Model: B011



\* The **CE** Marking is a directive conformity mark of the European Community (EC).  
 \* Das **CE**-Zeichen entspricht der EC Norm.  
 \* La marquage **CE** est un marquage de conformité à la directive CEE (CE).  
 \* La marca **CE** es marca de conformidad según directiva de la Comunidad Europea (CE).  
 \* Il marchio **CE** attesta la conformità alla direttiva della Comunità Europea (CEE).  
 \* **CE** 标志表示符合欧洲共同体(EC)指标



The EEC Conformity Report applies to the Council Directive 98/336/EEC, 92/31/EEC, 93/68/EEC and is used by Tamron Co., Ltd., manufacturer of this product.

# ENGLISH

Thank you for purchasing the Tamron lens as the latest addition to your photographic equipment. Before using your new lens, please read the contents of this Owner's Manual thoroughly to familiarize yourself with your lens and the proper techniques for creating the highest quality images possible. With proper handling and care, your Tamron lens will give you many years of photographing beautiful and exciting pictures.

- Explains precautions that help to prevent problems.

- Explains things you should know in addition to basic operations.

## NOMENCLATURE (Refer to Fig. 1, if not specified)

- |                                  |                                  |
|----------------------------------|----------------------------------|
| ① Lens hood                      | ② Hood attaching alignment mark  |
| ③ Hood attaching indicator       | ④ Filter ring                    |
| ⑤ Hood attaching bayonet ring    | ⑥ Zooming ring                   |
| ⑦ Focal length scale             | ⑧ Zoom index mark                |
| ⑨ Zoom lock switch (Figs. 3 & 4) | ⑩ Focusing ring                  |
| ⑪ Lens attachment mark           | ⑫ Lens mount/Lens mount contacts |

## SPECIFICATIONS

	B011
Focal Length	18-200 mm
Maximum Aperture	F/3.5 - 6.3
Angle of View	75°58' - 8°03'
Lens Construction	13/17
Minimum Focusing Distance	0.5 m (19.7")
Maximum Magnification Ratio	1:3.7 (at 200 mm)
Filter Size $\phi$	62 mm
Length/Overall Length	96.7 mm (3.8")/102.0 mm (4.0")
Diameter $\phi$	68 mm (2.7")
Weight	460 g (16.2 oz)
Lens Hood	HB011

- **Length: From the lens front extremity to the mount surface.**
- **Overall length: From the lens front extremity to the rear projection extremity.**
- **Features and appearance of lenses listed in this owner's manual are subject to change without notice.**

## ATTACHING AND REMOVING THE LENS

### How to mount the lens

Removing the rear cap of the lens. Align the Lens attachment mark ⑪ on the lens barrel with its counterpart on the camera mount and insert the lens. Rotate the lens clockwise until it click-locks.

### How to detach the lens

Pressing the lens release button on the camera down, turn the lens counter-clockwise, and lift the lens off the camera's lens mount.

- For further details, please read the instruction manual of your camera.

## FOCUSING (Autofocus) (Ref. Figs. 1 & 2)

Set the focus mode on the camera to Auto focus (AF).

Press the shutter button halfway down while viewing through the camera's LCD. The lens focuses automatically. An in-focus mark will light on the LCD when lens focuses on the main subject sharply. Press the shutter button further to photograph.

- For further details, please read the instruction manual of your camera.

## FOCUSING (Manual Focus) (Ref. Figs. 1 & 2)

Set the focus mode on the camera to Manual focus (MF).

Focus manually rotating the focusing ring ⑩ while viewing through the camera's LCD (Fig. 2). The main subject in the LCD monitor will be sharp when the lens is focused correctly.

- For further details, please read the instruction manual of your camera.

## VC MECHANISM (Ref. Figs. 1)

VC (Vibration Compensation) is a mechanism which reduces the image blur caused by hand-held shooting. When using the VC, pictures can be taken at shutter speeds up to a maximum 4 stops slower than the speed when the VC is not used.

\* Based on the company's standard measurement. Also, the correction of image blur differs depending on the conditions during picture taking and the person using the camera.

### How to use VC mechanism

- 1) Enable image blur correction with the camera settings. Disable the setting when VC is not used.
- 2) Press the shutter button halfway to verify the effect of the VC. When the shutter button is pressed down halfway, it takes about 1 second for the VC to provide a stable image.

### The VC can be effective for hand-held shots under the following conditions.

- Dimly lit locations
- Scenes where flash photography is forbidden
- Situations where your footing is uncertain
- Taking panning shots of a moving subject

### The VC may not be able to give full effect in the following cases:

- When a photograph is taken from a fast moving vehicle
- Shooting during the excessive movement of the camera
- Deactivate the VC when taking pictures with the bulb setting or during long exposures. If the VC is activated, the VC mechanism may introduce errors.

- **With the VC mechanism, there are occasions that the image in the LCD monitor blurs right after the shutter button is pressed down halfway, but this is not a malfunction.**
- **When using the VC, the number of images recordable is reduced due to the power used by the camera.**
- **When using the VC, immediately after the shutter button is pushed halfway down and approximately 2 seconds after the shutter button has been released, the camera will "click". This sound is the VC's locking mechanism activating, it is not a malfunction.**
- **Deactivate the VC when using a tripod.**
- **After releasing the shutter button, the VC will continue to operate for about 2 seconds until the locking mechanism activates.**

- When the lens is removed from the camera while VC is activating, the lens may make clicking sound when the lens is subjected to a jolt. This is not a malfunction. Re-attach the lens to the camera and turn the power ON. The sound should stop.
- The VC activates while the "release" button is pushed halfway down. (It is activated 2 seconds after the shutter button is released)
- VC can be used in AF or MF mode.
- For further details, please read the instruction manual of your camera.

## ZOOMING (Ref. Figs. 1 & 2)

Rotate the zooming ring ⑥ of the lens while viewing through the camera's LCD and compose your image at the chosen focal length.

## ZOOM LOCK SWITCH (Ref. Figs. 1, 3 & 4)

Zoom lock switch mechanism prevents lens barrels from extending toward long focal length by their own weight while hanging from shoulders. Activate the switch at 18mm setting to stop the lens barrels from rotating and extending.

### How to activate the zoom lock switch mechanism

- 1) Locking: Set the lens to the 18mm position. Lift the zoom lock switch ⑨ toward the lens. The lens barrel is now locked in position and does not rotate or extend by its own weight.
- 2) Releasing: Pull the zoom lock switch ⑨ toward the camera. The lens barrel is now free to rotate and extend for zooming.

- **The zoom lock switch ⑨ cannot be lifted unless the zoom index mark ⑧ is set to 18mm. Do not force the lock switch or try to rotate the zooming ring ⑥ while locked.**
- **The zoom lock mechanism is made to prevent the lens barrel from extending while carried around on shoulder. The lens may change its focal length during a long exposure if the lens is used in a low or high angle position.**
- The lens can be used at 18mm setting for picture-taking even when locked by the switch.

## LENS HOOD (Ref. Figs. 1, 5 to 7)

A bayonet-type lens hood is provided as standard equipment. We recommend shooting with the hood attached whenever possible as the lens hood eliminates stray light, which is harmful to the picture.

### Attaching the Lens Hood (Ref. Figs. 5 & 6)

Align Hood attaching alignment mark ② on the hood with the corresponding index mark ⑤ or the top of the index line of the distance scale on the lens. Press the hood lightly onto the hood attaching bayonet ring (Fig. 5) and then rotate it clockwise to secure (Fig. 5). The lens hood will be secure when the mark "TAMRON  $\odot$ " is at the top (Fig. 6). When attaching the lens hood, hold the focus and zoom control rings so that they are not rotated unintentionally.

- Pay particular attention to align the hood attaching indexes when using zoom lenses including wide-angle (e.i. 35mm or wider) settings. Improper attachment of a hood on a wide-angle zoom lens may cause large shadowed areas in your pictures.

### Stowing lens hood on the lens (Ref. Fig. 7)

- 1) Reverse the lens hood. Point the lens toward the opening, then align the hood attaching index on the lens with the (TAMRON  $\odot$ ) alignment on the hood ③.
- 2) Turn the hood clockwise until the alignment mark (•) is at the top to set it. (Fig. 7)

## PRECAUTIONS IN SHOOTING

- The optical design for Di III takes into consideration the various features of digital single reflex cameras. However, due to the configuration of the digital single reflex cameras, even when the autofocus accuracy is within specifications, the focal point may be a little forward or behind the optimum point when shooting with autofocus under some conditions.
- The Tamron lenses described here employ an internal focusing (IF) system. Because of the characteristics of this optical design, the angles of view at distances other than infinity are wider than that of the lenses applying an ordinary focusing system.
- When using the flash supplied with the camera, adverse photographic phenomena such as corner illumination fall-off or vignetting at the bottom part of the image may be observed, especially in wide angle ranges. This is due to the inherent limitation of the coverage of the supplied flash, and/or the relative position of the flash to the edge of the lens barrel which causes shadows on the image. We also recommend removing the hood when using the supplied flash.
- When set on AF mode, interfering with focusing ring may cause serious damage to the lens mechanism.
- When using a special filter such as a PL filter, use low profile filters. The thick rim of a normal filter may cause vignetting.

## TO ENSURE LONG-TERM SATISFACTION

- Avoid touching the glass element surface. Use a photographic lens cloth or blower to remove dust from the lens element surface. When not using the lens, always place a lens cap on it for protection.
- Use a lens cleaning tissue or lint cloth with a drop of cleaning solution to remove fingerprints or dirt on the glass lens surface with a rotary motion from the center to the edge.
- Use a silicon cloth to clean your lens barrel only.
- Mildew is an enemy of your lens. Clean the lens after shooting near water or in any humid place. Store your lens in a clean, cool and dry place. When storing the lens in an lens case, store it with commercially available drying agent such as silica gel, and change the agent occasionally. If you find mildew on your lens, consult an authorized repair shop or nearby photographic store.
- Do not touch the lens-camera interface contacts since dust, dirt and/or stains may cause a contact failure between the lens and camera.
- When using your equipment [camera(s) and lens(es)] in an environment where the temperature changes from one extreme to the other, make sure to put your equipment temporarily in a case or a plastic bag for a length of time in order for the equipment to go through a gradual temperature shift. This will reduce potential equipment trouble.