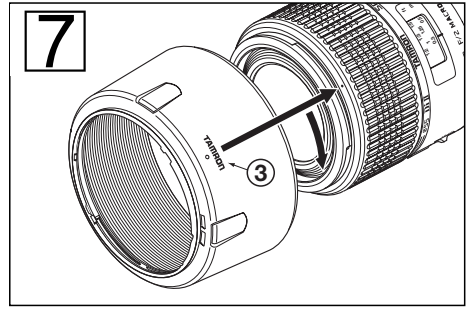
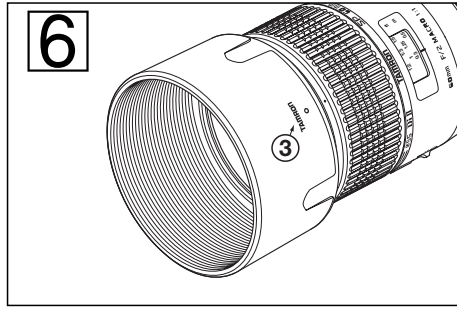
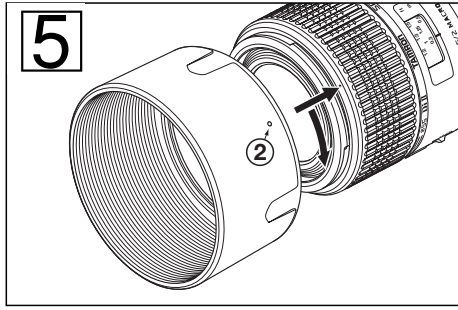
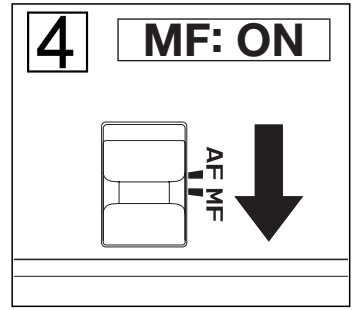
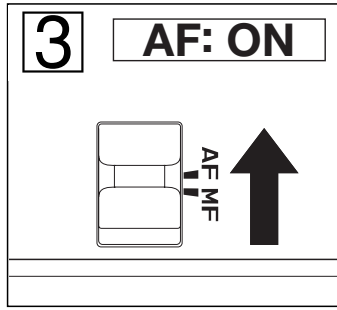
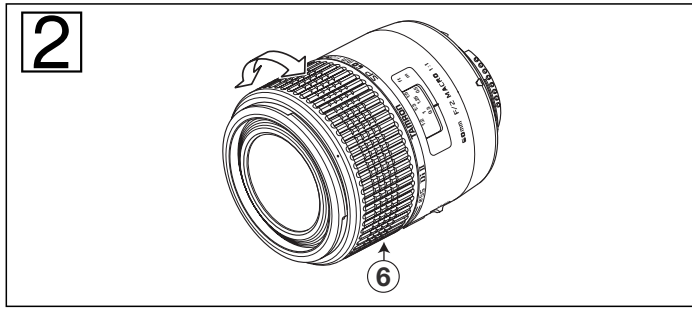
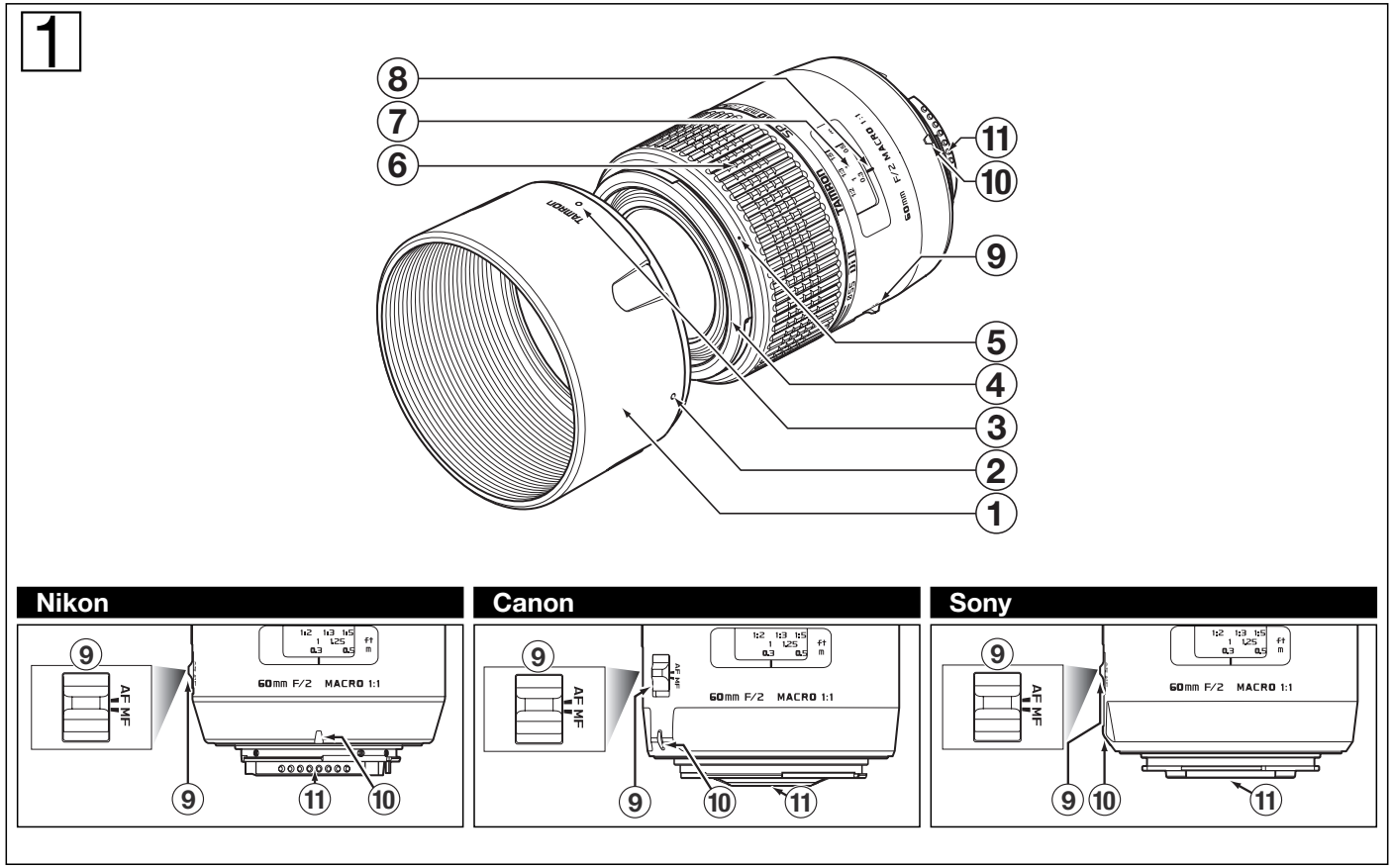


TAMRON

● SPAF60mm F/2 DiII LD [IF] MACRO1:1 (Model G005)



CE

- * The CE Marking is a directive conformity mark of the European Community (EC).
- * Das CE-Zeichen entspricht der EC Norm.
- * La marquage CE est un marquage de conformité à la directive CEE (CE).
- * La marca CE es marca de conformidad según directiva de la Comunidad Europea (CE).
- * Il marchio CE attesta la conformità alla direttiva della Comunità Europea (CEE).
- * CE 标志表示符合欧洲共同体 (EC) 指标

The EEC Conformity Report applies to the Council Directive 98/336/EEC, 92/31/EEC, 93/68/EEC and is used by Tamron Co., Ltd., manufacturer of this product.

Thank you for purchasing the Tamron lens as the latest addition to your photographic equipment. Di II lens (Digitally Integrated) series are designed for digital SLR cameras with image sensors equivalent to APS-C size. Before using your new lens, please read the contents of this Owner's Manual thoroughly to familiarize yourself with your lens and the proper techniques for creating the highest quality images possible. With proper handling and care, your Tamron lens will give you many years of photographing beautiful and exciting pictures.

 • Explains precautions that help to prevent problems.


 • Explains things you should know in addition to basic operations.

NOMENCLATURE (Refer to Fig. ①, if not specified)

- ① Lens hood
- ② Hood attaching alignment mark
- ③ Hood fixing alignment mark
- ④ Filter attaching ring
- ⑤ Hood attaching and removing alignment mark
- ⑥ Focusing ring
- ⑦ Length/Macro magnification scale
- ⑧ Length/Macro magnification scale alignment mark
- ⑨ AF-MF altering switch
- ⑩ Lens attachment mark
- ⑪ Signal contact

SPECIFICATIONS

	G005
Focal Length	60 mm
Maximum Aperture	F/2
Angle of View	26°35'
Lens Construction	10/14
Minimum Focusing Distance	0.23 m (9.1')
Maximum magnification ratio of shooting	1:1
Filter Size ϕ	55 mm
Length	80 mm (3.15")
Diameter ϕ	73 mm (2.9")
Weight	400 g (14.1 oz)
Lens Hood	HG005

-  • Lengths and weights listed in lens specifications are for lens with Nikon mount.
• Features and cosmetic designs of lenses listed in this owner's manual may be revised without notice.

ATTACHING AND REMOVING THE LENS (Ref. Figs. ①)


■ How to mount the lens

Removing the rear cap of the lens. Align the lens attachment mark (⑩) on the lens barrel with its counterpart on the camera mount and insert the lens.

Rotate the lens clockwise (in case of Nikon lens, counter-clockwise) until it click-locks.

■ How to detach the lens

Pressing the lens release button on the camera down, turn the lens counter-clockwise (in case of Nikon lens, clockwise), and lift the lens off the camera's lens mount.

-  • The image circles of Di II lenses are designed to match the digital SLR cameras using the image sensors equivalent to APS-C (approx. 15.5 x 23.2mm). Do not use Di II lenses with cameras using image sensors larger than APS-C. Using Di II lenses with such cameras may cause vignetting on the image.
- Some Canon cameras have index marks for attaching both EF lenses (red circle) and EF-S lenses (white square).
To attach or remove the DiII lenses, align the lens attachment mark on the lens (⑩) with the index mark for EF lenses.
Do not forcibly align the lens attachment mark with the index mark for EF-S lens (white square) .
Doing so could result in damage to the lens and/or camera.

 • For further details, please read the instruction manual of your camera.

FOCUSING (Autofocus) and using the full-time manual function

In case of Sony cameras, switch the focusing mode switch of the camera to Auto focusing mode (AF). In case of a Nikon or Canon camera, switch the AF/MF switch (⑨) on the lens to AF. (Fig. ③). In case of Nikon camera with the focus mode selector dial, set the focus mode to "S" or "C", and then set the AF/MF switch on the lens side (⑨) to "AF". Press the shutter button lightly while viewing through the camera's viewfinder, the lens focuses automatically. An in-focus mark will light when lens focuses on the main subject sharply. Press the shutter button further to photograph.

Using the full-time manual function?

G005 is equipped with the full-time manual function.

The full-time manual function is a function that the focus can be fine-tuned by the manual focus without switching the AF/MF changing switch when taking a picture of auto focus.


- How to use the full-time manual function

First, set the focus mode to "AF".

You can adjust focus manually while turning the focus ring in the shutter button is pressed lightly.


-  • When set on AF mode, interfering with focusing ring (⑥) may cause serious damage to the lens mechanism.

- The distance scale (⑦) is marked for guidance purposes. The actual focal point may slightly differ from the distance marked on the focal length index.

 • For further details, please read the instruction manual of your camera.

FOCUSING (Manual Focus) (Ref. Figs. ①, ② & ④)

In case of Sony cameras, switch the focusing mode switch of the camera to manual focusing mode (MF). In case of a Nikon or Canon camera, switch the AF/MF switch (⑨) on the lens to MF. (Fig. ④) In case of Nikon camera with the focus mode selector dial, set the focus mode to "M", and then set the AF/MF switch on the lens side (⑨) to "MF". Focus manually rotating the focusing ring (⑥) while viewing through the camera's viewfinder. The main subject in the viewfinder will be sharp when the lens is focused correctly.

-  • Even in the MF mode, turning focusing ring (⑥) while pressing the shutter button halfway the focus aid function lamp lights up when the picture is in focus.
- At infinity, make sure the image in the viewfinder appears sharp. The infinity position on G005 is made with certain allowances to insure proper focus under a variety of conditions.
 - For further details, please read the instruction manual of your camera.

LENS APERTURE AND AE MODE

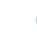
Please follow the instruction manual of your camera.

LENS HOOD (Ref. Figs. ①, ⑤, ⑥ & ⑦)

A bayonet-type lens hood is provided as standard equipment. We recommend shooting with the hood attached whenever possible as the lens hood eliminates stray light which is harmful to the picture. However, please be aware of the "PRECAUTIONS IN SHOOTING" when your camera is equipped with a built-in flash.

■ Attaching the Lens Hood (Ref. Figs. ⑤ & ⑥)

Align the hood attaching alignment mark (②) on the hood with the corresponding hood attaching bayonet ring (⑤) (or the top of the index line of the distance scale) on the lens. Press the hood lightly onto the hood attaching bayonet ring (Fig. ⑤) and then rotate it clockwise to secure (Fig. ⑤). The lens hood will be securely held as the mark "TAMRON ○" comes to the top (Fig. ⑥).

-  • Pay particular attention to align the hood attaching indexes when using zoom lenses including wide-angle (e.i. 35 mm or wider) settings.
Improper attachment of a hood for wide-angle zoom lens may cause large shadowed areas in your pictures.

■ Removing the lens hood

1) Turn the hood ① anticlockwise. The lens hood ① will be removed from the lens.

■ Stowing lens hood on the lens

1) Point the lens hood toward to opening, then align the hood attachment mark ⑤ on the lens with the (TAMRON ○) alignment on the hood ③ (Fig. ⑦)

2) Turn the hood 1 anticlockwise until its alignment mark 2 is at the top to set it (Fig. ⑦).

■ Removing the lens hood when stowing

1) Turn the hood ① anticlockwise. The lens hood ① will be removed from the lens.

PRECAUTIONS IN SHOOTING

- The optical design for Di II takes into consideration the various features of digital single reflex cameras. However, due to the configuration of the digital single reflex cameras, even when the autofocus accuracy is within specifications, the focal point may be a little forward or behind the optimum point when shooting with auto focus under some conditions.
- The image circles of Di II lenses are designed to match the digital SLR cameras using the image sensors equivalent to APS-C (approx. 15.5× 23.2mm). Do not use Di II lenses with cameras using image sensors larger than APS-C. Using Di II lenses with such cameras may cause vignetting on the image.
- (G005) employ an internal focusing (IF) system. Because of the characteristics of this optical design, the angles of view at distances other than infinity are wider than that of the lenses applying an ordinary focusing system.
- When the built-in flash on the camera is used, adverse photographic phenomena such as corner illumination fall-off or vignetting at the bottom part of the image may be observed, especially in wide angle ranges. This is due to the inherent limitation of the coverage of the built-in flash, and/or the relative position of the flash to the edge of the lens barrel which causes shadows on the image. It is strongly recommended to use a suitable separate flash unit provided by the camera manufacturer for all flash photography.
For further details, please read the "built-in flash" article on the instruction manual of your camera.
- The use of teleconverters is not recommended due to the optical performance of the lens.
- When using the lens in the telephoto focal range, please be careful with the camera shake. Effective way to avoid the camera shake is using an ISO setting of higher numbers. Using a tripod or monopod is also effective.
- When set on AF mode, interfering with focusing ring may cause serious damage to the lens mechanism.
- Certain camera models may indicate the maximum and minimum aperture values of the lens appropriate numbers. This is not an indication of an error.

TO ENSURE LONG-TERM SATISFACTION

- Avoid touching the glass element surface. Use a photographic lens cloth or blower to remove dust from the lens element surface. When not using the lens, always place a lens cap on it for protection.
- Use a lens cleaning tissue or lint cloth with a drop of cleaning solution to remove fingerprints or dirt on the glass lens surface with a rotary motion from the center to the edge.
- Use a silicon cloth to clean your lens barrel only.
- Mildew is an enemy of your lens. Clean the lens after shooting near water or in any humid place. Store your lens in a clean, cool and dry place. When storing the lens in an lens case, store it with commercially available drying agent such as silica gel, and change the agent occasionally. If you find mildew on your lens, consult an authorized repair shop or nearby photo-graphic store.
- Do not touch the lens-camera interface contacts since dust, dirt and/or stains may cause a contact failure between the lens and camera.
- When using your equipment [camera(s) and lens(es)] in an environment where the temperature changes from one extreme to the other, make sure to put your equipment temporarily in a case or a plastic bag for a length of time in order for the equipment to go through a gradual temperature shift.
This will reduce potential equipment trouble.