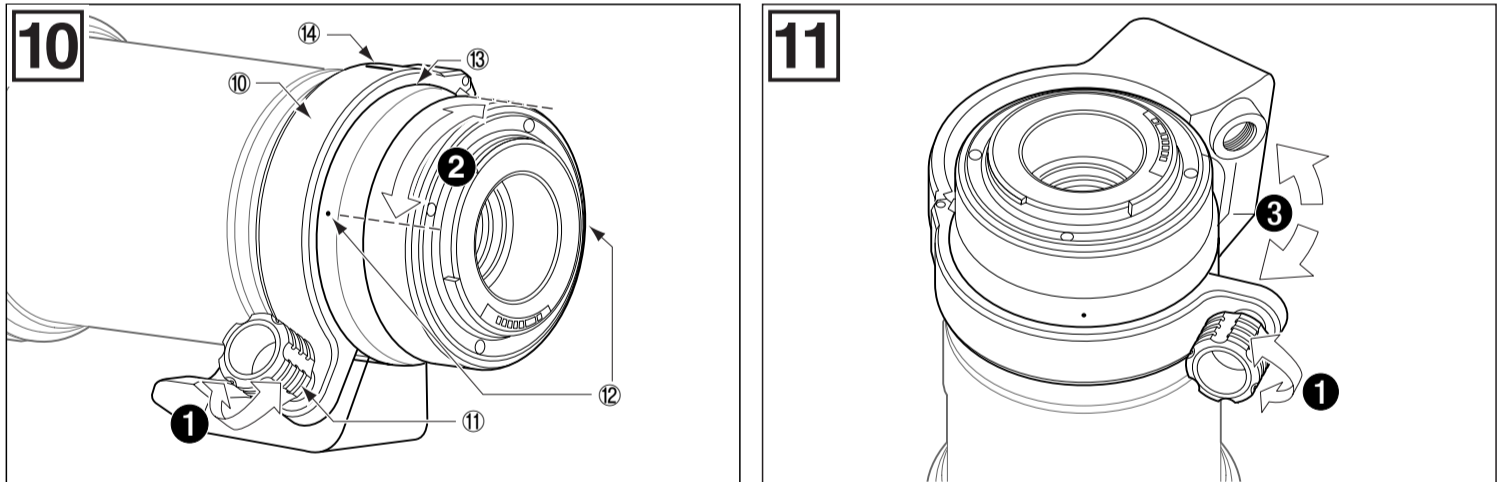
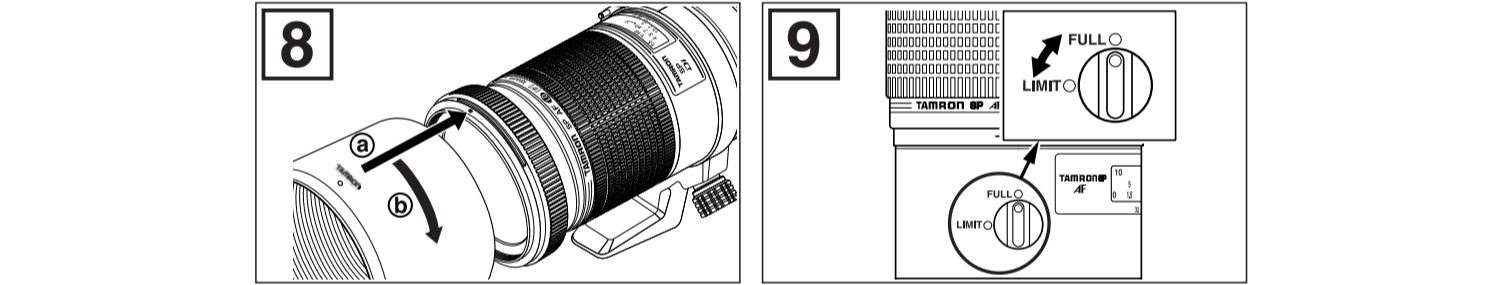
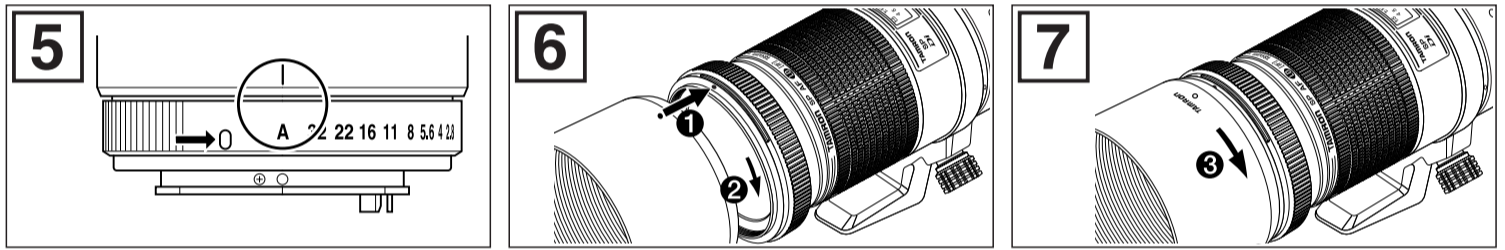
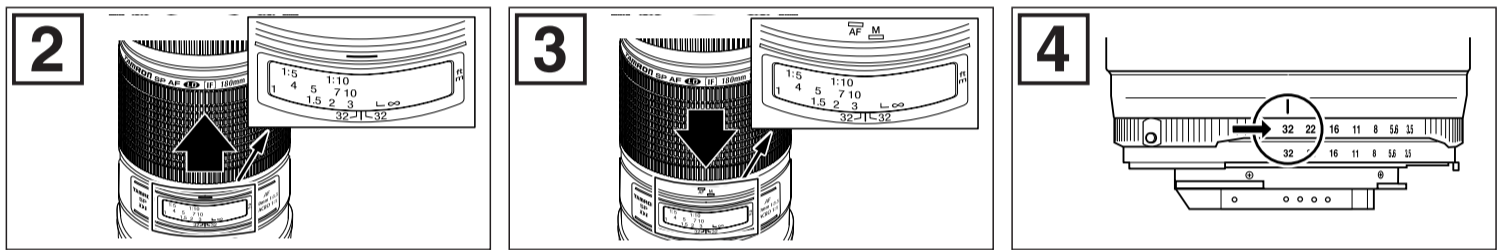
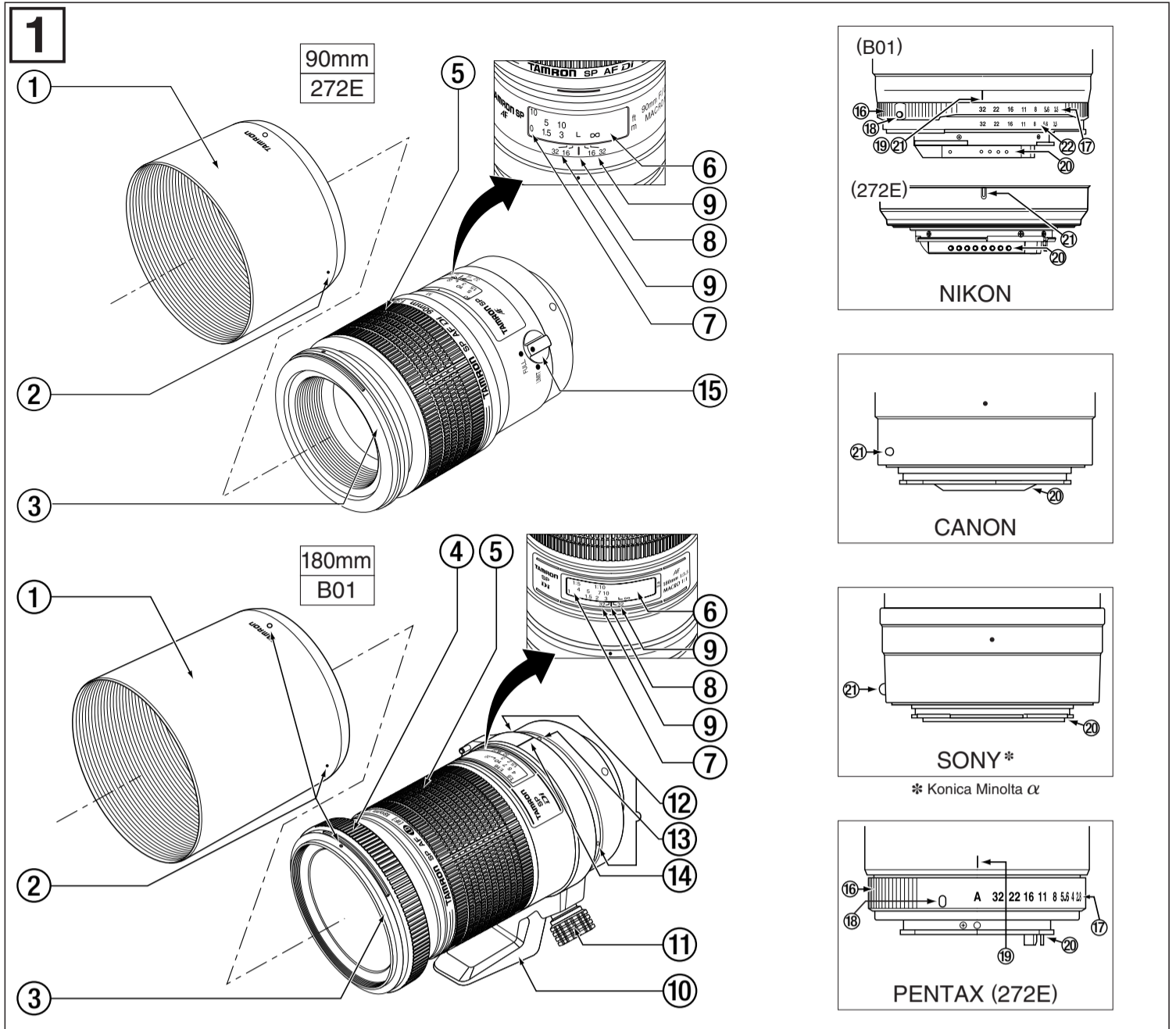


TAMRON

- SP AF 90mm F/2.8 Di Macro1:1 (Model 272E)
- SP AF 180mm F/3.5 Di LD [IF] Macro1:1 (Model B01)



12 272E (90mm)

①	②	③	④
1:1	0.29m	3.98x	+2.0
1:1.1	0.30m	3.63x	+1.8
1:1.3	0.31m	3.11x	+1.7
1:1.5	0.32m	2.76x	+1.5
1:1.8	0.34m	2.40x	+1.3
1:2	0.35m	2.23x	+1.2
1:2.8	0.42m	1.82x	+0.8
1:3	0.43m	1.76x	+0.8
1:4	0.52m	1.55x	+0.7
1:5	0.61m	1.43x	+0.5
1:7	0.78m	1.30x	+0.3
1:10	1.04m	1.20x	+0.3

12 B01 (180mm)

①	②	③	④
1:1	0.47m	2.69x	+1.4
1:1.2	0.49m	2.27x	+1.2
1:1.5	0.54m	1.91x	+0.9
1:2	0.62m	1.60x	+0.7
1:3	0.80m	1.34x	+0.4
1:5	1.15m	1.17x	+0.2
1:10	2.03m	1.04x	+0.1

- ① Magnification
Agrandissement
Vergrößerung
Aumento
Ingrandimento
Vergröttingsfactor
Aumentar
放大率
- ② Distance
Distancia
Abstand
Distancia
Distancia
Afstands
Afstands
Distância
Foco
- ④ Exposure factor
Facture d'exposition
Korrekturfaktor
Factor de exposición
Fattore esposizione
Belichtingsfactor
Fator de exposição
曝光放大倍率
- ④ Exposure compensation
Correction d'Exposition
Bilichtungskorrektur
Compensación de la exposición
Controllo esposizione
Belichtingscorrector
Correção da exposição
放大倍率修正

13 272E (90mm)

	F/2.8	F/4.0	F/5.6	F/8.0	F/11.0	F/16.0	F/22.0	F/32.0
0.291m	0.291-0.292	0.291-0.292	0.291-0.292	0.291-0.292	0.291-0.292	0.291-0.292	0.290-0.293	0.290-0.293
0.4m	0.399-0.401	0.399-0.401	0.398-0.402	0.398-0.402	0.397-0.403	0.395-0.405	0.394-0.407	0.391-0.410
0.5m	0.498-0.502	0.498-0.502	0.497-0.503	0.495-0.505	0.494-0.506	0.491-0.509	0.488-0.513	0.482-0.519
0.6m	0.597-0.603	0.596-0.604	0.595-0.605	0.593-0.608	0.590-0.611	0.585-0.616	0.580-0.622	0.572-0.632
0.8m	0.794-0.806	0.792-0.808	0.789-0.811	0.785-0.816	0.779-0.822	0.770-0.832	0.760-0.845	0.743-0.868
1.0m	0.991-1.009	0.987-1.013	0.982-1.019	0.975-1.027	0.966-1.037	0.951-1.055	0.934-1.078	0.907-1.117
1.5m	1.477-1.524	1.469-1.533	1.456-1.546	1.439-1.567	1.417-1.594	1.382-1.641	1.343-1.702	1.282-1.814
3.0m	2.903-3.104	2.866-3.147	2.816-3.210	2.744-3.310	2.660-3.444	2.530-3.694	2.390-4.047	2.190-4.820
5.0m	4.727-5.307	4.628-5.438	4.495-5.636	4.309-5.961	4.097-6.426	3.778-7.390	3.474-9.018	3.055-14.294
10.0m	8.941-11.364	8.587-11.975	8.129-13.005	7.527-14.933	6.890-18.337	6.041-29.623	5.265-114.488	4.340-∞
20.0m	16.13-26.321	15.00-30.021	13.64-37.563	12.01-60.327	10.45-250.236	8.597-∞	7.092-∞	5.497-∞
∞	70.84-∞	53.11-∞	39.14-∞	28.08-∞	20.76-∞	14.48-∞	10.64-∞	7.386-∞

13 B01 (180mm)

	F/3.5	F/4.0	F/5.6	F/8.0	F/11.0	F/16.0	F/22.0	F/32.0
0.47m	0.469-0.471	0.469-0.471	0.469-0.471	0.468-0.472	0.467-0.473	0.466-0.474	0.465-0.475	0.462-0.478
0.5m	0.499-0.501	0.499-0.501	0.499-0.501	0.498-0.502	0.497-0.503	0.496-0.504	0.495-0.505	0.493-0.507
0.55m	0.549-0.551	0.549-0.551	0.549-0.551	0.548-0.552	0.547-0.553	0.546-0.554	0.545-0.556	0.542-0.558
0.6m	0.599-0.601	0.599-0.601	0.598-0.602	0.598-0.602	0.597-0.603	0.595-0.605	0.594-0.606	0.591-0.609
0.7m	0.699-0.701	0.698-0.702	0.698-0.702	0.697-0.703	0.696-0.704	0.694-0.706	0.692-0.709	0.688-0.713
0.8m	0.798-0.802	0.798-0.802	0.797-0.803	0.796-0.804	0.794-0.806	0.792-0.808	0.789-0.811	0.784-0.817
1.0m	1.00-1.003	1.00-1.003	1.00-1.005	0.99-1.007	0.99-1.009	0.99-1.013	0.98-1.019	0.97-1.027
1.5m	1.49-1.507	1.49-1.508	1.49-1.511	1.48-1.516	1.48-1.522	1.47-1.533	1.46-1.545	1.44-1.567
2.0m	1.99-2.013	1.99-2.015	1.98-2.021	1.97-2.030	1.96-2.042	1.94-2.061	1.92-2.085	1.89-2.126
3.0m	2.97-3.031	2.97-3.035	2.95-3.050	2.93-3.071	2.91-3.099	2.87-3.146	2.82-3.204	2.75-3.307
∞	213.22-∞	191.68-∞	144.85-∞	106.00-∞	79.39-∞	55.97-∞	41.34-∞	28.80-∞

CE

* The CE Marking is a directive conformity mark of the European Community (EC).
 * Das CE-Zeichen entspricht der EC Norm.
 * La marquage CE est un marquage de conformité à la directive CEE (CE).
 * La marca CE es marca de conformidad segun directiva de la Comunidad Europea (CE).
 * Il marchio CE attesta la conformità alla direttiva della Comunità Europea (CEE).
 * CE标志表示符合欧洲共同体(CE)指标

The EEC Conformity Report applies to the Council Directive 98/336/EEC, 92/31/EEC, 93/68/EEC and is used by Tamron Co., Ltd., manufacturer of this product.

